

## Rocket Wall IP65



### Rocket Wall

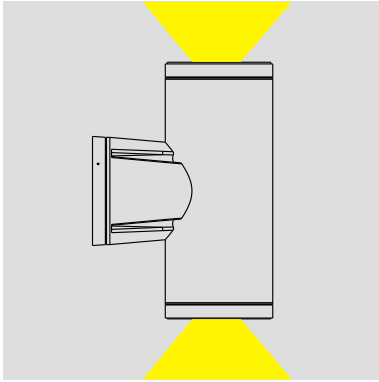
IP65 wall surface mounted luminaire

#### Features

- Housing made of extrusion and ring made of die cast aluminum with tempered glass, silicone gaskets and the external screws are in 316 stainless steel.
- Reflector made of super pure anodized aluminum.
- Powder coated finish with high corrosion resistance pre-treatment.
- Weather proof cable entry IP67 PG11 synthesized rubber grommet for H07RN-F cable.
- Electronic transformer for Halogen lamp incorporate inside the housing.
- Electronic control gear for compact fluorescent lamp incorporate inside the housing.
- Conventional control gear for Metal Halide lamp incorporate inside the housing.
- Mega Rocket Wall and Mini Rocket Wall also available. Providing a wide range of sizes, lamp types, and power options.
- Designed and manufactured to comply with European standard EN 60598.

#### Applications

- Adjustable (with lamp tilting angle 0°-15°) weather proof downlight.
- Areas: Outdoor canopies of building, entrances, walkways.

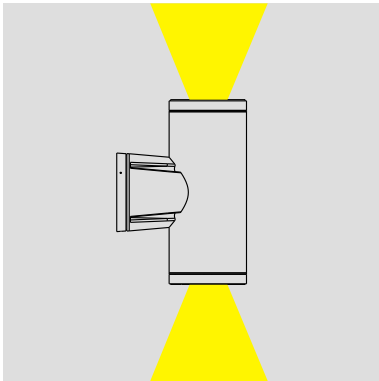
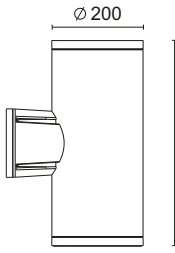


### Mega-Rocket Wall Up/Down

IP65

ART.	Max. Wattage(W)	Volt.(V) /f(Hz)	Lamp	Beam	Adjustable Angle
<b>3086</b>	2x42	230/50	GX24q-4 TC-T  Electronic control gear incorporated.	Flood	Fixed
<b>3087</b>	2x70	230/50	G12 CDM-T  Conventional control gear incorporated.	Flood	20°

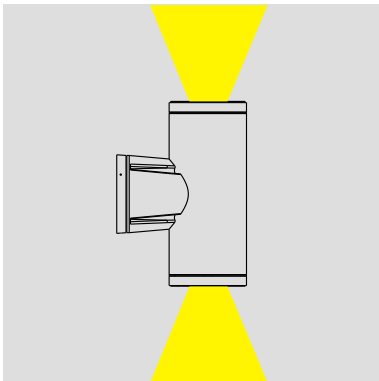
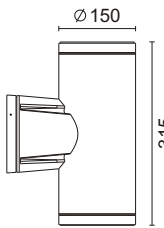
150W CDM-T available on request.



### Rocket Wall Up/Down

IP65

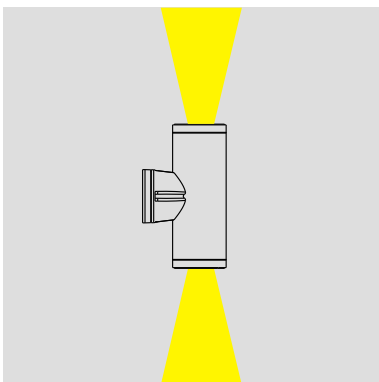
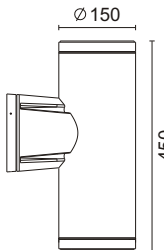
ART.	Max. Wattage(W)	Volt.(V) /f(Hz)	Lamp	Beam	Adjustable Angle
<b>3010</b>	2x100	230/50	E27 PAR30(Hal.)		Fixed



### Rocket Wall Up/Down

IP65

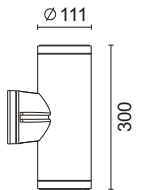
ART.	Max. Wattage(W)	Volt.(V) /f(Hz)	Lamp	Beam	Adjustable Angle
<b>3019</b>	2x35	230/50	G8.5 CDM-TC 12°  Conventional control gear incorporated.	Spot	25°
<b>3060</b>	2x35	230/50	G8.5 CDM-TC 40°  Conventional control gear incorporated.	Flood	25°
<b>3012</b>	2x26	230/50	TC-TEL GX24q-3  Electronic ballast incorporated.	Flood	Fixed

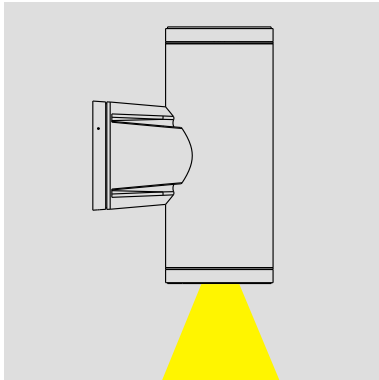


### Mini-Rocket Wall Up/Down

IP65



ART.	Max. Wattage(W)	Volt.(V) /f(Hz)	Lamp	Beam	Adjustable Angle
<b>3017</b>	2x50	230/50	E27 PAR20(Hal.)		Fixed
<b>3015</b>	2x50	230/50	GU5.3 MR16  Electronic control gear incorporated.		20°



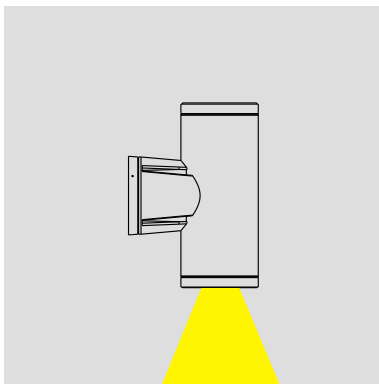
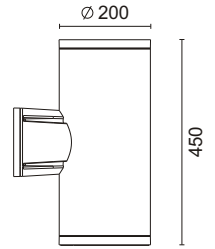


## Mega-Rocket Wall

IP65  





ART.	Max. Wattage(W)	Volt.(V) /f(Hz)	Lamp	Beam	Adjustable Angle
<b>3082</b>	1x42	230/50	GX24q-4 TC-T  Electronic ballast incorporated.	Flood	Fixed
<b>3083</b>	1x70	230/50	G12 (CDM-T)  Conventional control gear incorporated.	Flood	20°

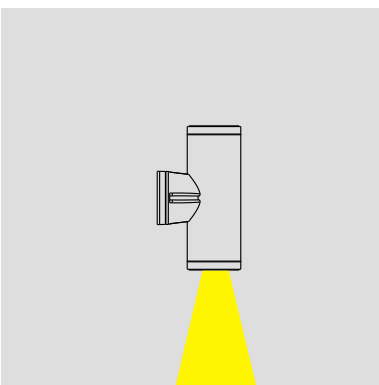
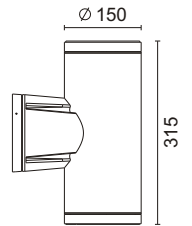
150W CDM-T available on request.



## Rocket Wall



IP65  

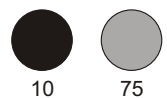
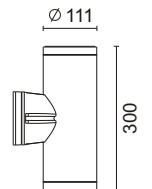
ART.	Max. Wattage(W)	Volt.(V) /f(Hz)	Lamp	Beam	Adjustable Angle
<b>3062</b>	1x100	230/50	E27 PAR30(Hal.) 		Fixed
<b>3065</b>	1x35	230/50	G8.5 CDM-TC 12°  Conventional control gear incorporated.	Spot	25°
<b>3059</b>	1x35	230/50	G8.5 CDM-TC 40°  Conventional control gear incorporated.	Flood	25°
<b>3064</b>	1x26	230/50	TC-TEL GX24q-3  Electronic ballast incorporated.	Flood	Fixed



## Mini-Rocket Wall

IP65  

ART.	Max. Wattage(W)	Volt.(V) /f(Hz)	Lamp	Beam	Adjustable Angle
<b>3016</b>	1x50	230/50	E27 PAR20(Hal.) 		Fixed
<b>3014</b>	1x50	230/50	GU5.3 MR16  Electronic transformer incorporated.		20°



10

75