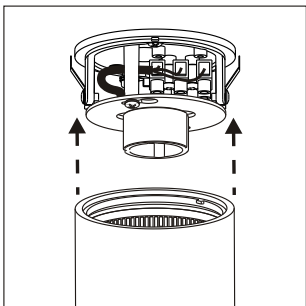
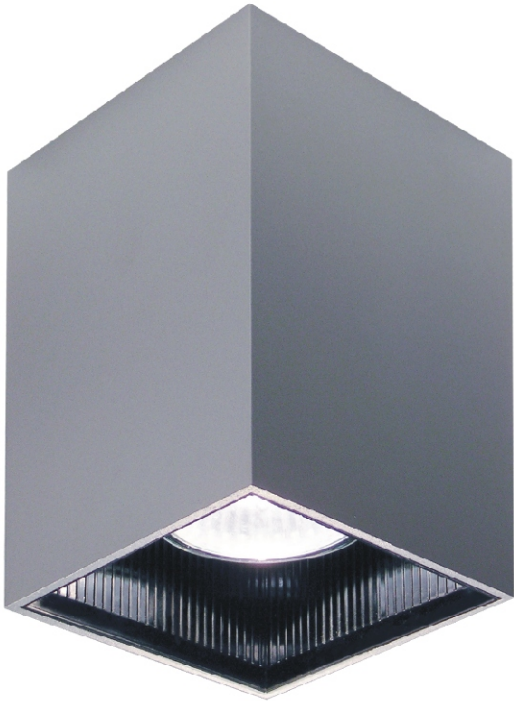
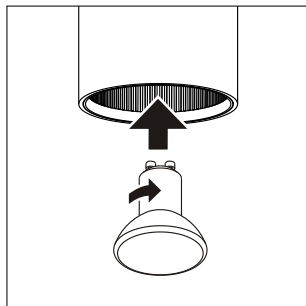


Twist Fixed



Easy to install



Easy to relamp

Twist Fixed

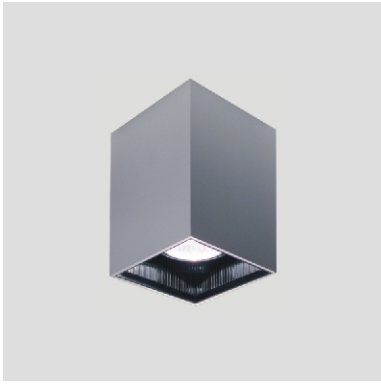
Ceiling mounted fixed downlight

Features

- Made of die cast aluminium with black baffle.
- Quick and easy installation as body is supported by 2 spring clips to also allow a simple lamp replacement.
- Designed and manufactured to comply with European standard EN 60598.

Applications

- Ideal for concrete ceiling or restricted void.
- Areas: retail, department stores, galleries, lobbies, showrooms, residential, restaurants, hotels.

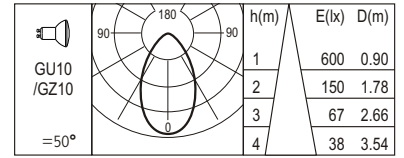
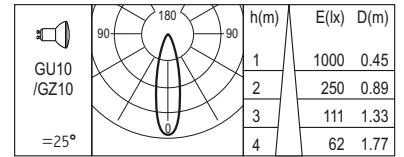
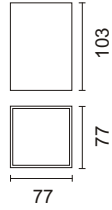


Twist-Fixed Square

1025

50W 230V GU10/GZ10 

IP20   

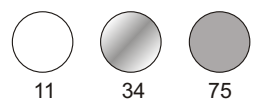
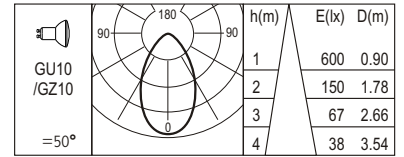
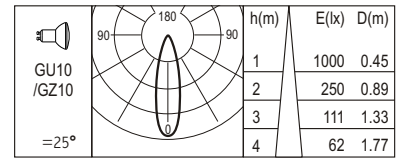
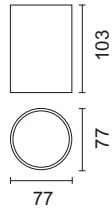


Twist-Fixed Round

1024

50W 230V GU10/GZ10 

IP20   



11

34

75