

KRITERION

ASAHARA SIGEAKI 2002



COLLECTION

SERIE DI APPARECCHI IN ALLUMINIO PRESSOFUSO/ESTRUSO A QUATTRO E OTTO PROIETTORI ORIENTABILI SINGOLARMENTE, PARTICOLARMENTE ADATTI PER CREARE LUCE D'ACCENTO. VERSIONI DA SOSPENSIONE, PLAFONE O PARETE. DOPPIA ACCENSIONE.

RANGE OF PENDANT, CEILING OR WALL LIGHTING FIXTURES MADE OF DIE-CAST/EXTRUDED ALUMINIUM WITH FOUR OR EIGHT SPOTS PARTICULARLY DESIGNED TO CREATE DRAMATIC ACCENT LIGHTING. EACH SPOTLIGHT IS FULLY ADJUSTABLE INDEPENDENT OF THE OTHERS. DUAL CIRCUIT SWITCHING CAPABILITY.

LEUCHTENSERIE AUS DRUCKGUSS- UND STRANGPRESSALUMINIUM, MIT 4 ODER 8 STRAHLERN. EINZELN AUSRICHTBAR, BESONDERS FÜR AKZENTBELEUCHTUNG GEEIGNET. VERSIONEN ZUR PENDEL-, DECKEN- ODER WANDMONTAGE. WECHSELSCHALTUNG.

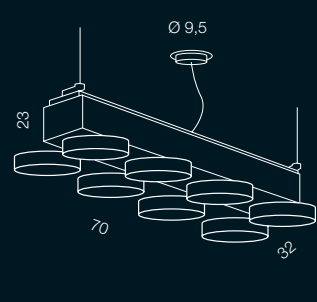
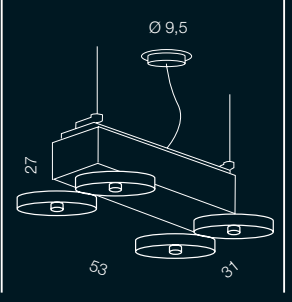
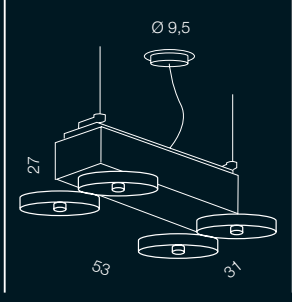
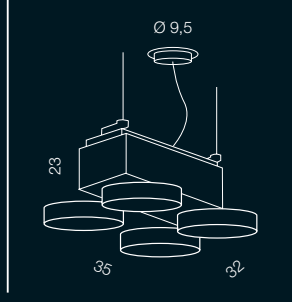
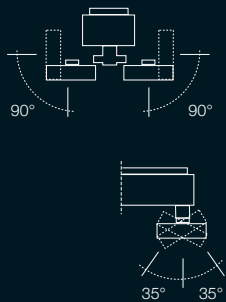
SÉRIE D'APPAREILS EN ALUMINIUM MOULÉ/EXTRUDÉ À QUATRE ET HUIT SPOTS, ORIENTABLES SÉPARÉMENT, PARTICULIÈREMENT INDIQUÉS POUR CRÉER DES ACCENTS LUMINEUX. DISPONIBLES EN SUSPENSION, PLAFONNIER OU APPLIQUE. DOUBLE ALLUMAGE.

REEKS VAN HANG-, PLAFOND-, EN WANDLAMPEN IN GEËXTRUDEERD GIETALUMINIUM MET 4/8 SPOTS IEDER APART ORIËNTEERBAAR, BIJZONDER GESCHIKT VOOR HET CREËREN VAN LICHT ACCENTEN. DE ELEKTRONISCHE TRANSFORMATOREN (230/12V) LATEN EEN DUBBELE ONTSTEEKING TOE.

SERIE DE APARATOS EN ALUMINIO DE PRESOFUSIÓN/ESTRUSO CON 4 Y 8 PROYECTORES ORIENTABLES SINGULARMENTE, PARTICULARMENTE ADAPTADOS PARA CREAR LUZ ACENTUADA. VERSIONES DE SUSPENSIÓN, TECHO O PARED. DOBLE ENCENDIDO.

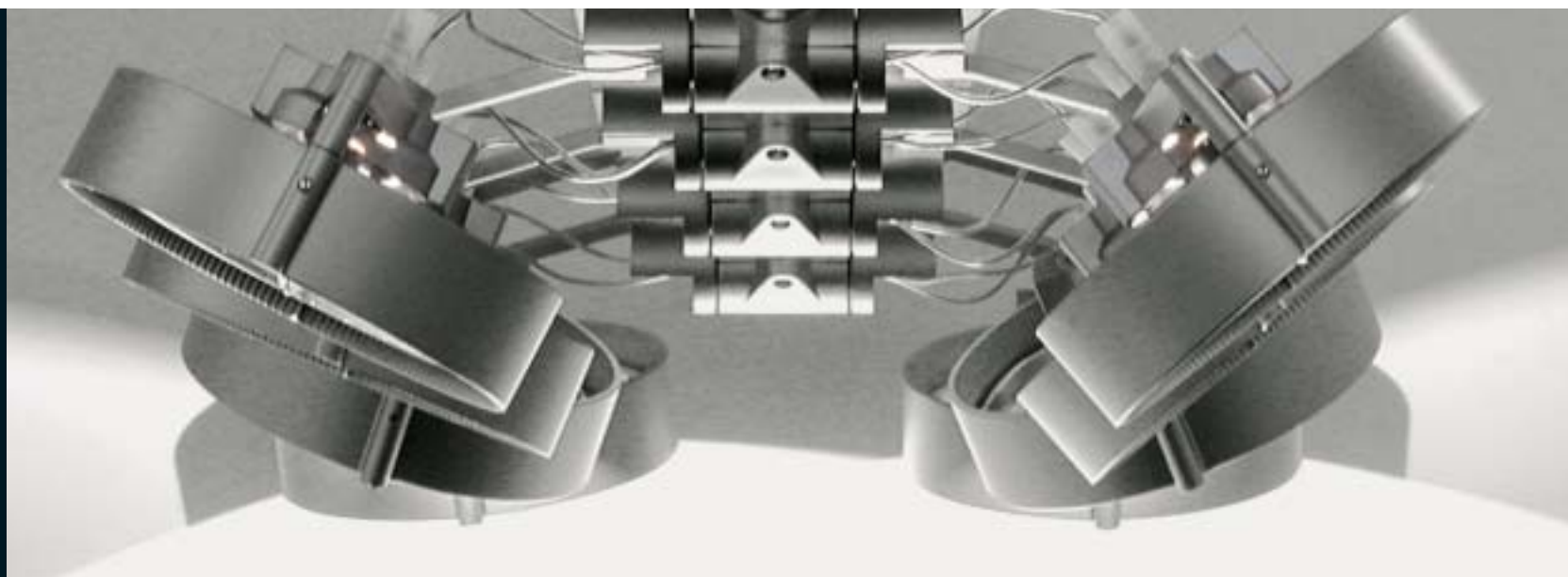




NOME / NAME	KRITERION H 4 S	KRITERION IM 4 S/35W	KRITERION IM 4 S/70W	KRITERION H 8 S
DESCRIZIONE / DESCRIPTION	LAMPADA A SOSPENS. ALOGENA	LAMP. SOSP. A IODURI METALLICI	LAMP. SOSP. A IODURI METALLICI	LAMPADA A SOSPENS. ALOGENA
	HALOGEN PENDANT LAMP	METAL HALIDE PENDANT LAMP	METAL HALIDE PENDANT LAMP	HALOGEN PENDANT LAMP
CODICE / CODE	06185	06194	06195	06193
PORTALAMPADA / LAMPHOLDERS	G53	GX 8,5	GX 8,5	G53
LAMPADINA / BULBS				
POTENZA / POWER	4 X MAX 75W QR111	4 X 35W CDM R111	4 X 70W CDM R111	8 X MAX 75W QR111
TENSIONE / TENSION	230/12V	230V	230V	230/12V
ILCOS	HMG	MRS/UB	MRS/UB	HMG
TRASFORMATORE / TRANSFORMER	ELETTRONICO INCL. / ELECTRONIC INCL.	-	-	ELETTRONICO INCL. / ELECTRONIC INCL.
ALIMENTATORE / CONTROL GEAR	-	ELETTRONICO INCL. / ELECTRONIC INCL.	ELETTRONICO INCL. / ELECTRONIC INCL.	-
CLASSE IP / IP CLASS	IP 20	IP 20	IP 20	IP 20
CLASSE ISOLAMENTO / INSULATING CLASS	I	I	I	I
PESO NETTO KG / KG NET WEIGHT	3,150	4,000	4,200	5,750
FINITURE / FINISH				
GRIGIO ARGENTO OPACO / MATT SILVER GREY	19	19	19	19
MARCHI / MARKS	IMQ - CE - F	CE - F	CE - F	IMQ - CE - F
INFO	GRUPPO SOSPENSIONE COMPOSTO DI CAVO D'ALIMENTAZIONE, DUE SOLI CAVETTI DI SOSTEGNO CON EQUILIBRATORE, E ROSONE THE SUSPENSION IS BY MEANS OF A MAINS FEED, TWO SUPPORT CABLES WITH ADJUSTMENT DEVICE AND CEILING PLATE	GRUPPO SOSPENSIONE COMPOSTO DI CAVO D'ALIMENTAZIONE, DUE SOLI CAVETTI DI SOSTEGNO CON EQUILIBRATORE, E ROSONE THE SUSPENSION IS BY MEANS OF A MAINS FEED, TWO SUPPORT CABLES WITH ADJUSTMENT DEVICE AND CEILING PLATE	GRUPPO SOSPENSIONE COMPOSTO DI CAVO D'ALIMENTAZIONE, DUE SOLI CAVETTI DI SOSTEGNO CON EQUILIBRATORE, E ROSONE THE SUSPENSION IS BY MEANS OF A MAINS FEED, TWO SUPPORT CABLES WITH ADJUSTMENT DEVICE AND CEILING PLATE	GRUPPO SOSPENSIONE COMPOSTO DI CAVO D'ALIMENTAZIONE, DUE SOLI CAVETTI DI SOSTEGNO CON EQUILIBRATORE, E ROSONE THE SUSPENSION IS BY MEANS OF A MAINS FEED, TWO SUPPORT CABLES WITH ADJUSTMENT DEVICE AND CEILING PLATE









NOME / NAME	KRITERION H 4	KRITERION IM 4 /35W	KRITERION IM 4 /70W	KRITERION H 8 C/STAFFA
DESCRIZIONE / DESCRIPTION	LAMPADA DA PARETE-PLAFONE	LAMPADA DA PARETE-PLAFONE	LAMPADA DA PARETE-PLAFONE	LAMPADA DA PARETE-PLAFONE ALOGENA
	ALOGENA	A IODURI METALLICI	A IODURI METALLICI	WALL-CEILING LAMP, HALOGEN
	WALL-CEILING LAMP, HALOGEN	WALL-CEILING LAMP, METAL HALIDE	WALL-CEILING LAMP, METAL HALIDE	WITH STIRRUP
CODICE / CODE	06180	06196	06197	06190
PORTALAMPADA / LAMP HOLDERS	G53	GX 8,5	GX 8,5	G53
LAMPADINA / BULBS				
POTENZA / POWER	4 X MAX 75W QR111	4 X 35W CDM R111	4 X 70W CDM R111	8 X MAX 75W QR111
TENSIONE / TENSION	230/12V	230V	230V	230/12V
ILCOS	HMG	MRS/UB	MRS/UB	HMG
TRASFORMATORE / TRANSFORMER	ELETTRONICO INCL. / ELECTRONIC INCL.	-	-	ELETTRONICO INCL. / ELECTRONIC INCL.
ALIMENTATORE / CONTROL GEAR	-	ELETTRONICO INCL. / ELECTRONIC INCL.	ELETTRONICO INCL. / ELECTRONIC INCL.	-
CLASSE IP / IP CLASS	IP 20	IP 20	IP 20	IP 20
CLASSE ISOLAMENTO / INSULATING CLASS	I	I	I	I
PESO NETTO KG / KG NET WEIGHT	2,500	3,400	3,600	6,000
FINITURE / FINISH				
GRIGIO ARGENTO OPACO / MATT SILVER GREY	19	19	19	19
MARCHI / MARKS	IMQ - CE - F	CE - F	CE - F	IMQ - CE - F
INFO	DISPONIBILE VERSIONE CON STAFFA COD. 06181 VERSION WITH STIRRUP CODE 06181 AVAILABLE	DISPONIBILE VERSIONE CON STAFFA COD. 06198 VERSION WITH STIRRUP CODE 06198 AVAILABLE	DISPONIBILE VERSIONE CON STAFFA COD. 06199 VERSION WITH STIRRUP CODE 06199 AVAILABLE	COMPLETA DI STAFFA FITTED WITH STIRRUP

