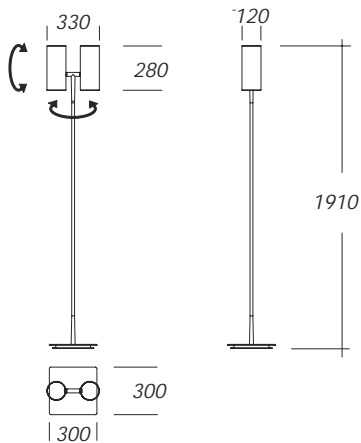


Nome Name	Finitura metallo Metal finish	Paralume/Diffusore Lampshade/Diffuser	Codice Code
--------------	----------------------------------	--	----------------

OPTICAL TERRA/FLOOR



Alluminio lucidato
a specchio
Aluminium -
polish finish

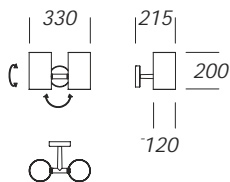
Orientabili e ruotabili in
metacrilato con pellicola
interna OPTICAL LIGHTING
FILM della 3M (OLF)
Direct and adjustable
in polycarbonate.
The internal Film is OPTICAL
LIGHTING FILM 3M (OLF)

OPT 001

CE 2 lampadine alogene 75 watt cd. 230 v.
Attacco GU10 (HI-SPOT ES 63 SYLVANIA).
Varialuce sul cavo di alimentazione.

■ 2 halogene lightbulbs 75 watt. 230 v.
Connection/fitting GU10 (HI-SPOT
ES 63 SYLVANIA). With dimmer.

OPTICAL APPLIQUE



Alluminio lucidato
a specchio
Aluminium -
polish finish

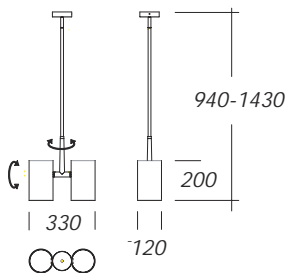
Orientabili e ruotabili in
metacrilato con pellicola
interna OPTICAL LIGHTING
FILM della 3M (OLF)
Direct and adjustable
in polycarbonate.
The internal Film is OPTICAL
LIGHTING FILM 3M (OLF)

OPT 002

CE 2 lampadine alogene 75 watt cd. 230 v.
Attacco GU10 (HI-SPOT ES 63 SYLVANIA).

■ 2 halogene lightbulbs 75 watt. 230 v.
Connection/fitting GU10 (HI-SPOT
ES 63 SYLVANIA).

OPTICAL SOSPENSIONE/SUSPENSION



Alluminio lucidato
a specchio
Aluminium -
polish finish

Orientabili e ruotabili in
metacrilato con pellicola
interna OPTICAL LIGHTING
FILM della 3M (OLF)
Direct and adjustable
in polycarbonate.
The internal Film is OPTICAL
LIGHTING FILM 3M (OLF)

OPT 003

CE 2 lampadine alogene 75 watt cd. 230 v.
Attacco GU10 (HI-SPOT ES 63 SYLVANIA).

■ 2 halogene lightbulbs 75 watt. 230 v.
Connection/fitting GU10 (HI-SPOT
ES 63 SYLVANIA).